

**PRODUCT DATA SHEET**

# Standard Top Dump Hopper

**PRIMARY APPLICATIONS**

Installed at the top of drop as the first chute, other plain chute sections are attached below. For use when only one (1) entry point is needed at top of chute.

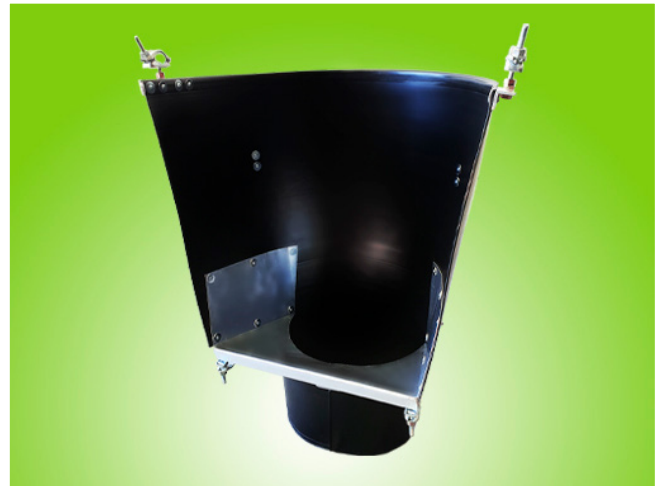
Most suited for tight access work sites.

Types of debris include:

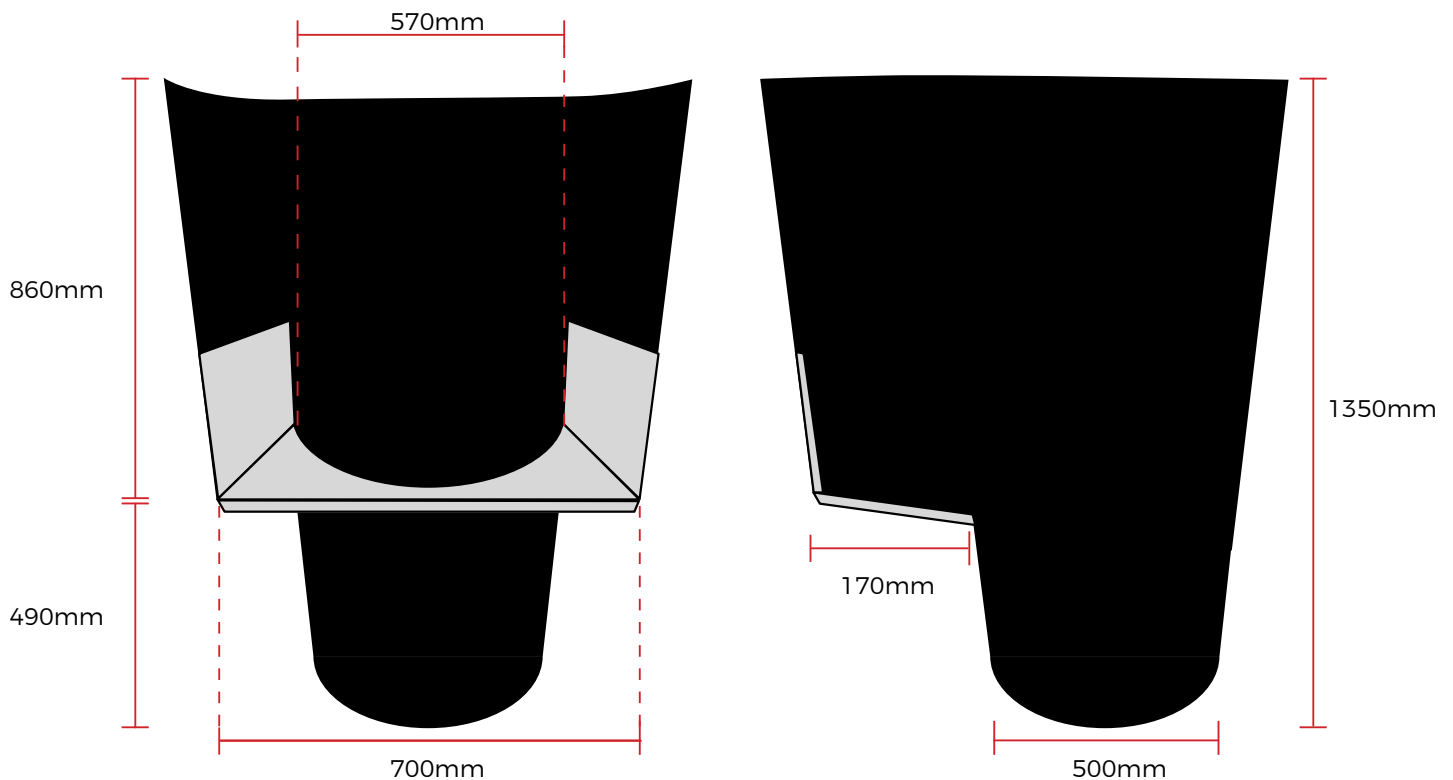
- tiles
- bricks
- roof top garden waste
- waste to be loaded with wheelbarrow, shovel or buckets

**FEATURES/BENEFITS**

- 4 point scaffold attachment
- Highly durable
- Lightweight
- Connected by chains
- Optional removable liners available
- Wide mouth - 700mm opening
- Stackable



**TECHNICAL INFORMATION**



---

## TECHNICAL INFORMATION

Material:	Ultra High Molecular Weight (UHMW) Polyethylene UV stabilised
Thickness:	6mm
Total Weight:	15kg
Total Effective length:	1160mm

---

## INSTALLED AS PART OF KIT SUITABLE FOR ONE (1) STANDARD FLOOR



EXAMPLE INSTALLATIONS

Mounted on Scaffold



Standard  
Top Dump  
Hopper

Standard  
Plain  
Chutes

Mounted with parapet bracket

