



**AUSSIE CHUTES HIRE & SALES**

30/218 Wisemans Ferry Rd Somersby NSW 2250

Freecall 1800 023 523 Mobile 0417 210 415

ABN 40 424 920 966

[www.aussiechutes.com.au](http://www.aussiechutes.com.au)

**PRODUCT DATA SHEET**

# Standard Side Loading Hopper

**PRIMARY APPLICATIONS**

For use when multiple entry points are required along the drop of the chute.

Most suited for multi-level work sites.

Types of debris include:

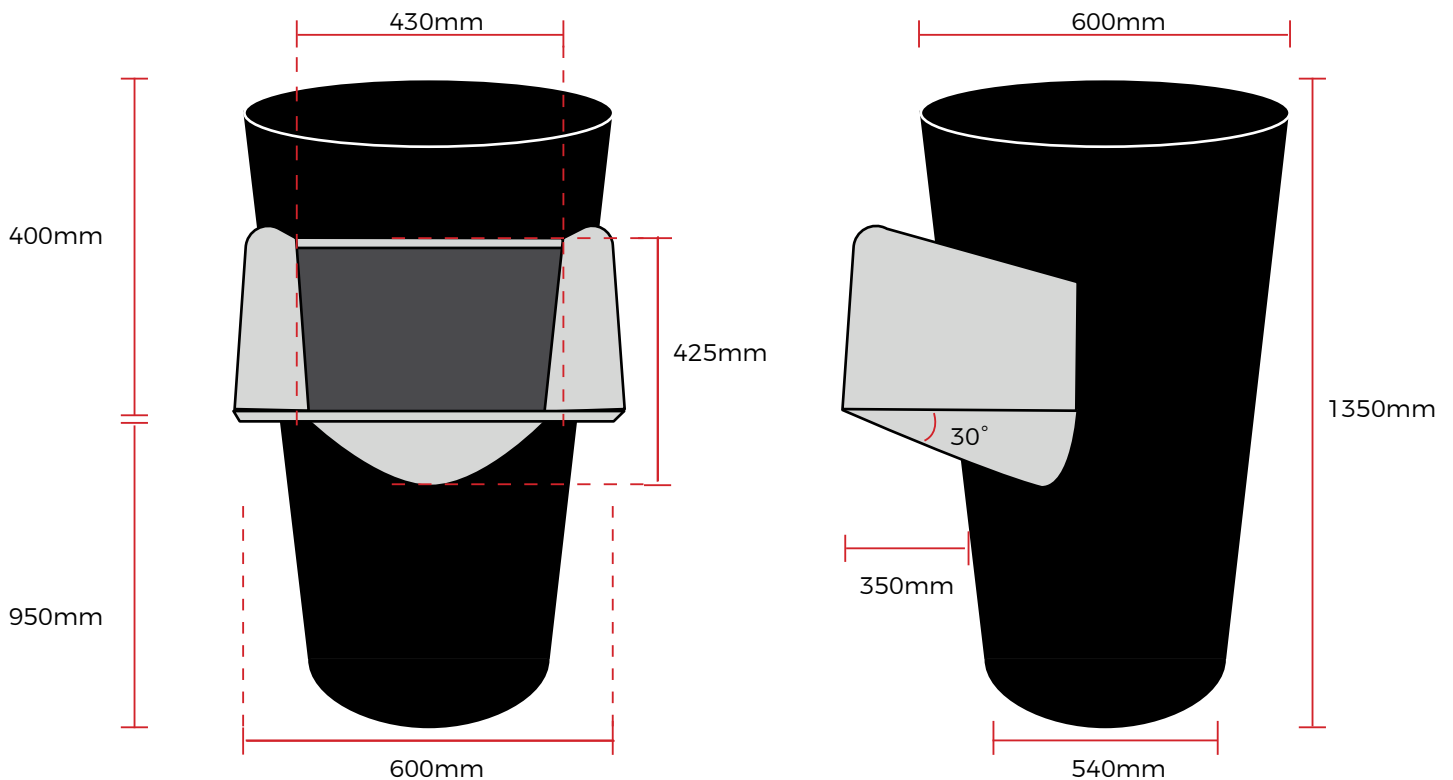
- tiles
- bricks
- gyprock
- waste to be loaded with buckets, shovel or by hand

**FEATURES/BENEFITS**

- 4 point scaffold attachment
- Highly durable
- Lightweight
- Connected by chains
- Lockable door with "Danger: Chute Closed" sign
- Top lid & removable liners available
- 30° hopper angle
- Side loading
- Stackable



**TECHNICAL INFORMATION**



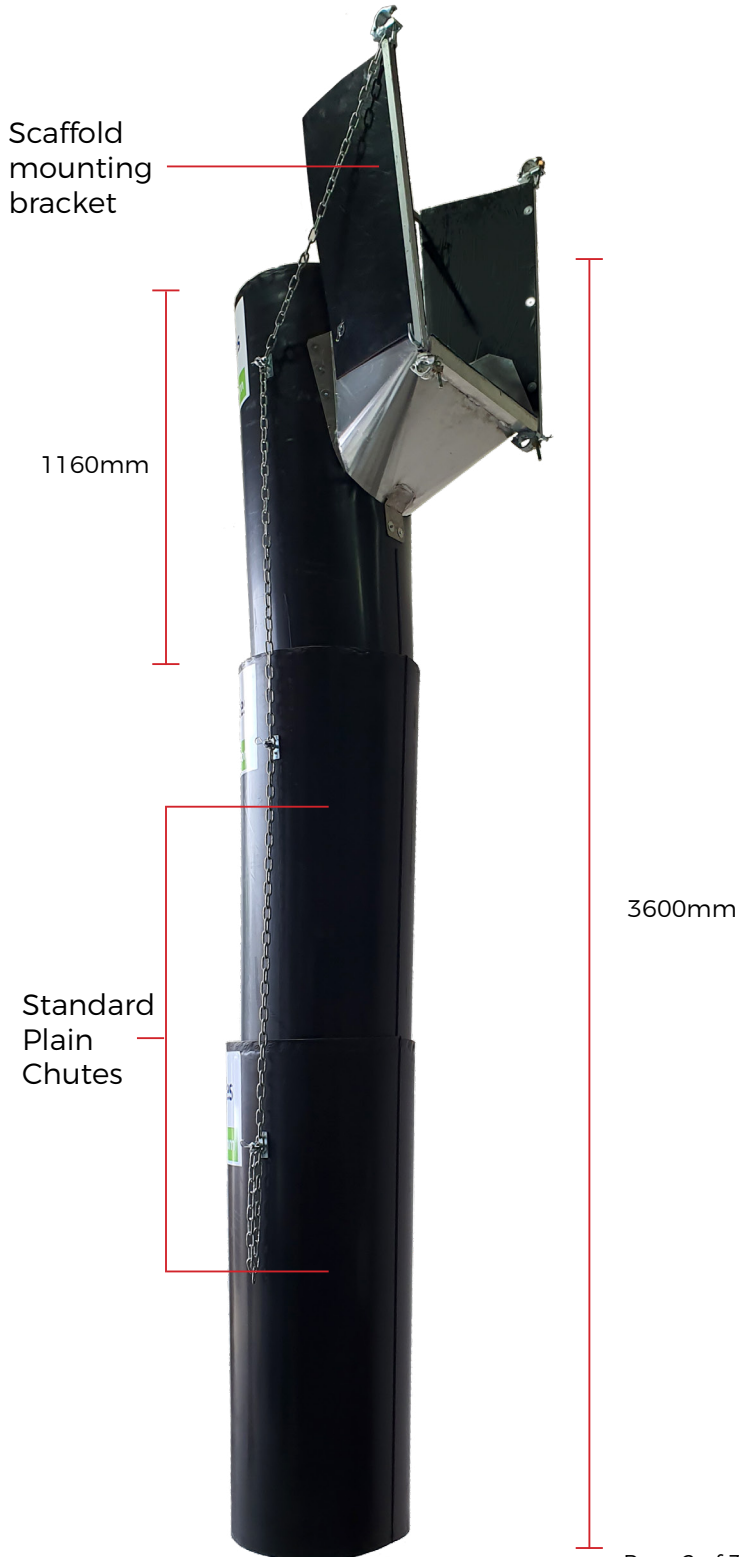
---

**TECHNICAL INFORMATION**

Material: Ultra High Molecular Weight (UHMW) Polyethylene UV stabilised  
Thickness: 6mm  
Total Weight: 24kg  
Total Effective length: 1160mm

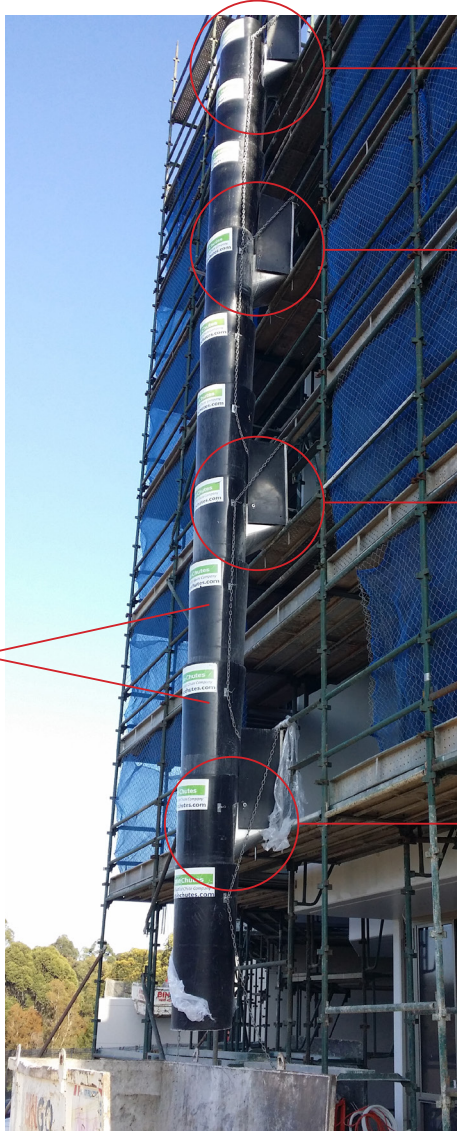
---

**INSTALLED AS PART OF KIT SUITABLE FOR ONE (1) STANDARD FLOOR**



EXAMPLE INSTALLATIONS

Mounted on Scaffold



Standard Plain Chutes

Standard Side Loading Hoppers

Mounted on Slab

