



AUSSIE CHUTES HIRE & SALES

30/218 Wisemans Ferry Rd Somersby NSW 2250

Freecall 1800 023 523 Mobile 0417 210 415

ABN 40 424 920 966

www.aussiechutes.com.au

PRODUCT DATA SHEET

Large Top Dump Hopper

PRIMARY APPLICATIONS

Installed at the top of drop as the first chute, other plain chute sections are attached below. For use when only one (1) entry point is needed at top of chute.

Most suited for high volume work sites.

Types of debris include:

- tiles
- bricks
- roof top garden waste
- waste to be loaded with wheelbarrow, shovel or buckets

FEATURES/BENEFITS

900mm opening

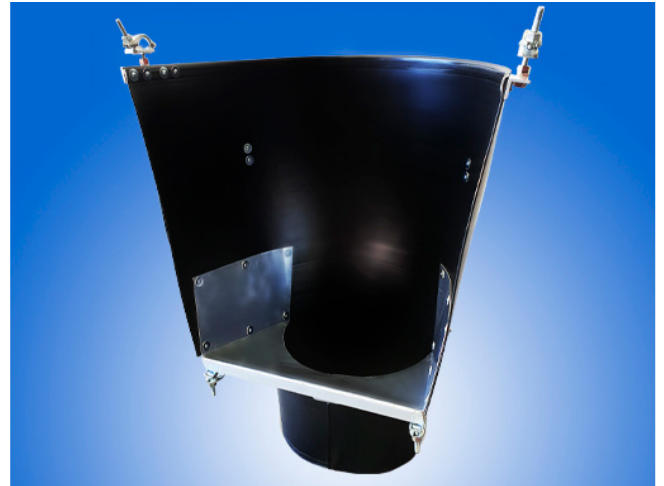
4 point scaffolding

Highly durable

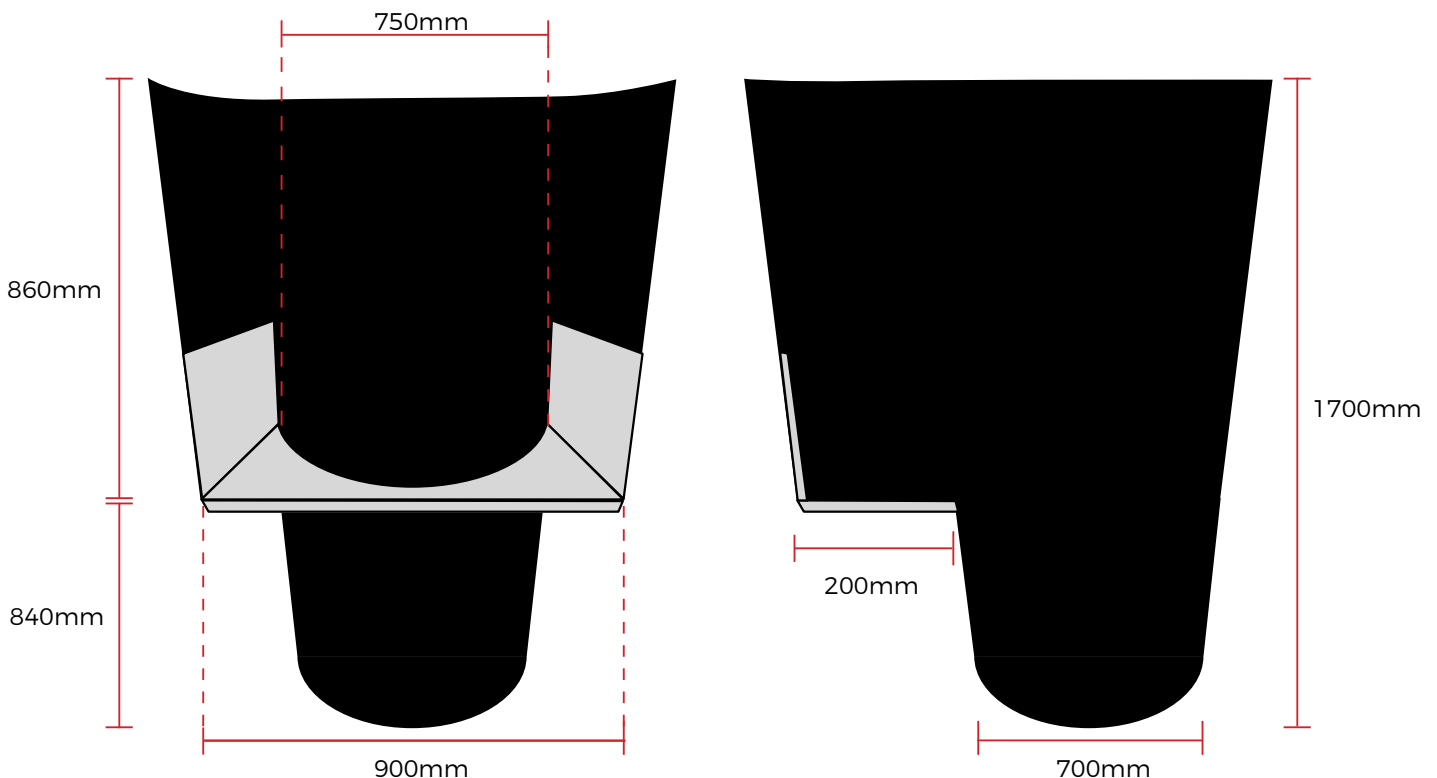
Lightweight

Connected by chains

Stackable



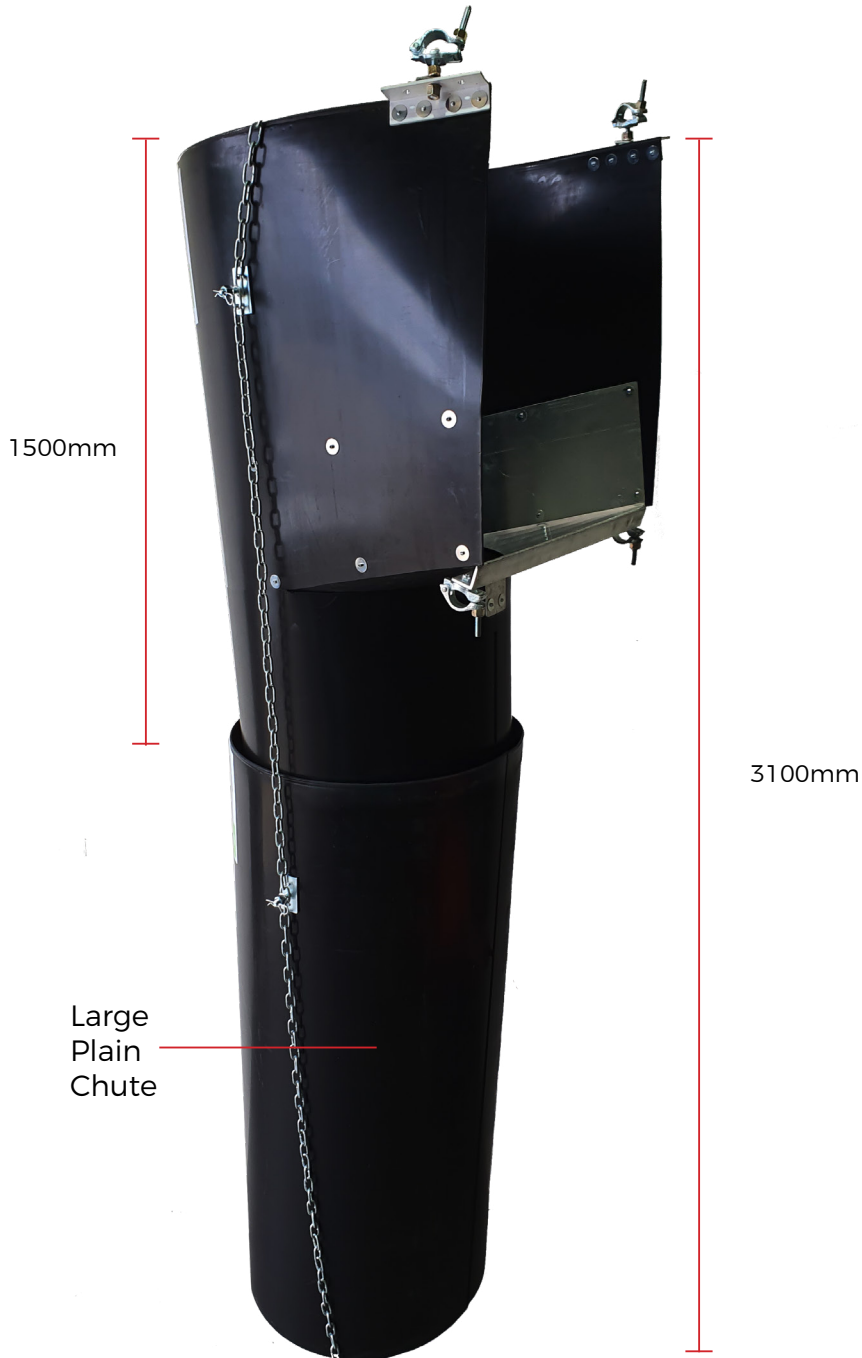
TECHNICAL INFORMATION



TECHNICAL INFORMATION

Material: Ultra High Molecular Weight (UHMW) Polyethylene UV stabilised
Thickness: 6mm
Total Weight: 27kg
Total Effective length: 1500mm

INSTALLED AS PART OF KIT SUITABLE FOR ONE (1) FLOOR



EXAMPLE INSTALLATIONS

Mounted on Scaffold

Mounted with parapet bracket



Large Top
Dump
Hopper

Large
Plain
Chutes

